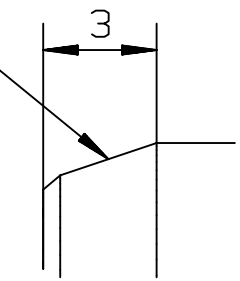


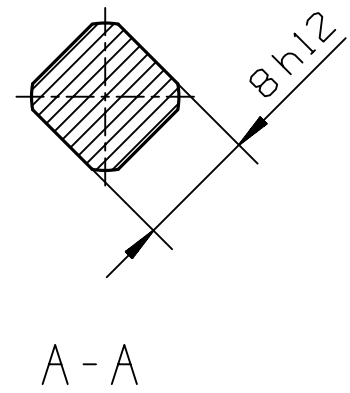
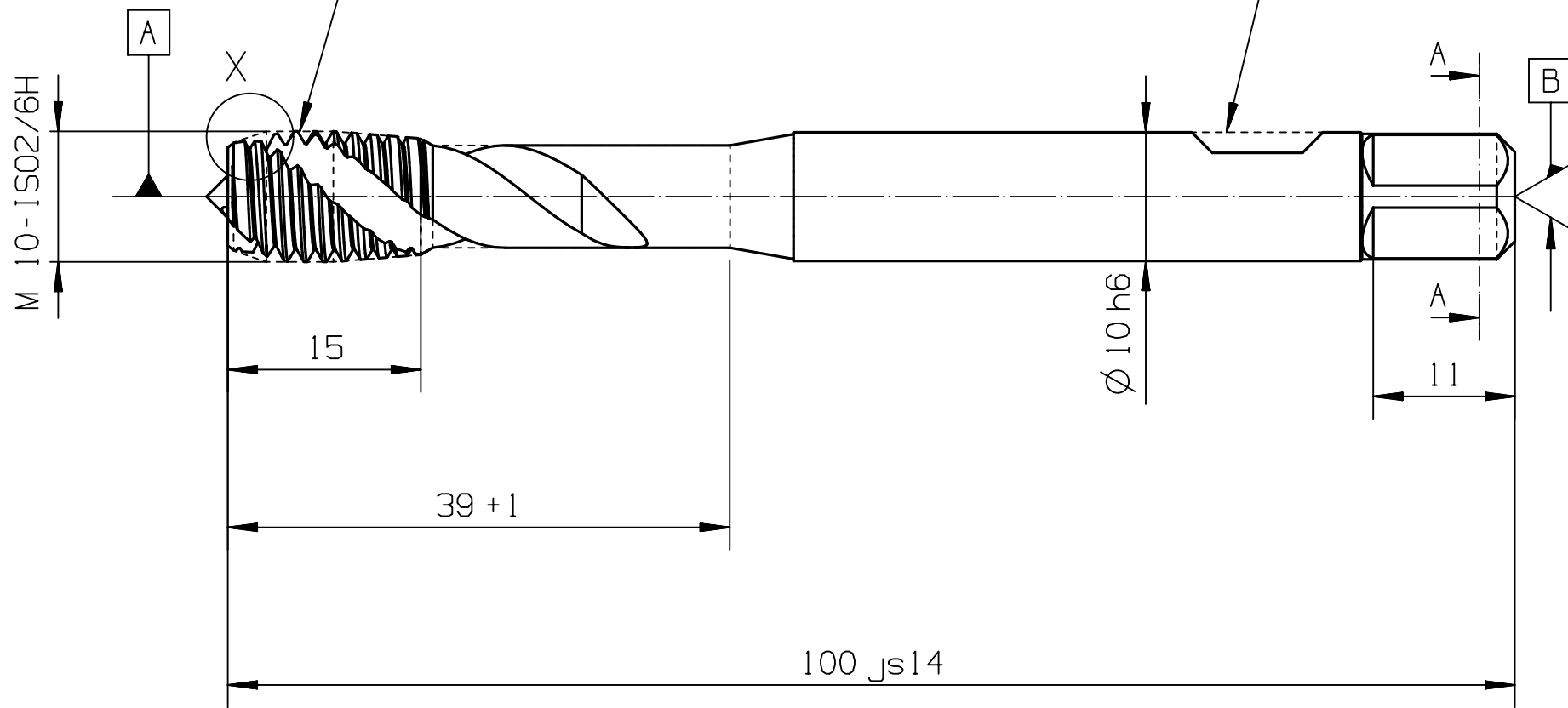
0.015 AB



X 5:1

0.02 AB

0.02 AB



Characteristics Tap:	
Flutes	2
Thread direction	right
Spiral angle	45
Type of lead	C
Standard	DIN 371

Qty.	Description	Det.	Dwg. No.	Material
Proprietary Information DIN ISO 16016:2002-5				Scale: 2:1
We reserve all Rights to this drawing including for the purpose of issuing patents and registration of petty patents. Without our written consent this drawing may not be copied, whole or partially, and may not be misused by the recipient as well as third parties. Any infraction will result in compensation for occurred damages and could lead to legal action by the author.				Format: A3
				Material: HSS-E
				Surface:
		Date	Name	Description: PARADUR WLM Synchrospeed
		Drawn	09.08.17 PROTOTYP	
		Checked		
				Drawing-No.:
				S2051-5075369
Rev.	Revision	Date	Name	Cust. No.:
				Ord.-Code: S20516-M10